

ZXHL-200A
回路电阻测试仪



??

301- 00

100

-200

/ -200

100

200

100

200

1.

2.

1

3.

→

1. 1 1
 2. 1
 3. 0 100 1 0 200
- 0. %

.

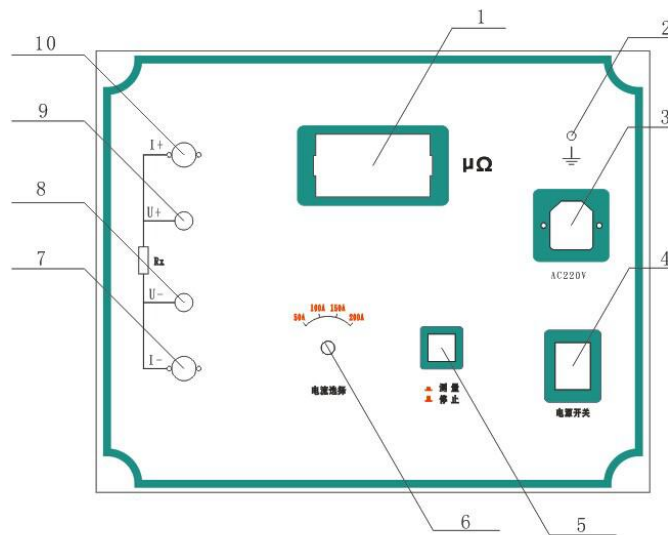
.

. 220 10% 0

. - 10 → 0 0 %

. 3 0 3 0 2 0 3

10.



1

2

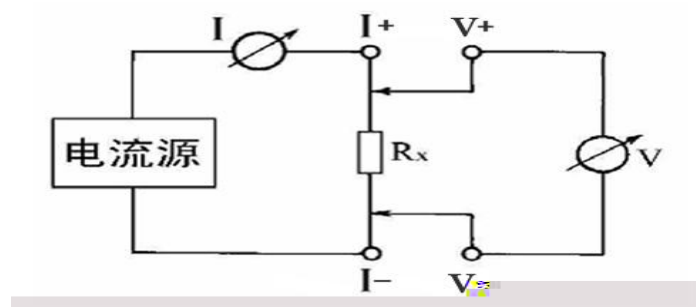
3

→

/

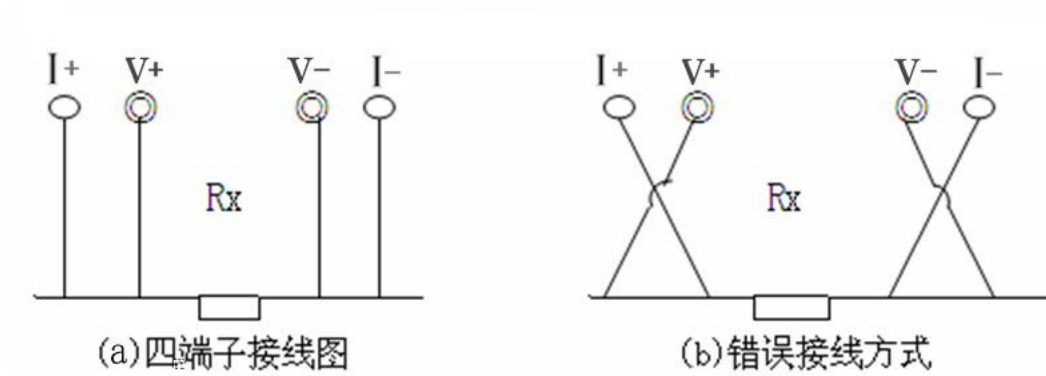
10

- - +
+ +



+ - + - ()

1.



2.

3.

10 /

GIDZ
国电中星

1
3
1
1
1
1
1
1
1

1.

2.

3.

.

.

.

.

.

.

.

4.

.

.

.

.

.



1-10		1- 0	200
2-10		1-110	00
→-10	0 0	2-110	1 0
→-20	0 0	3-110	1 0
→-10	20	→-110	300
→-20	20	-110	1 0 220
-10	100	2-220	→00
-10	0	→-220	00
10-3		-220	→00
1-3	0	-220	1 0
1- 0	00	1-220	→00
3-110	1100 1300	2-220	1 0
2-110	00	3-220	110
1-110	1 0	→-220	130
3-110	→	2-220	1 20
→-110	0	3-220	1200
3-110	1 00 1 00	-330	00